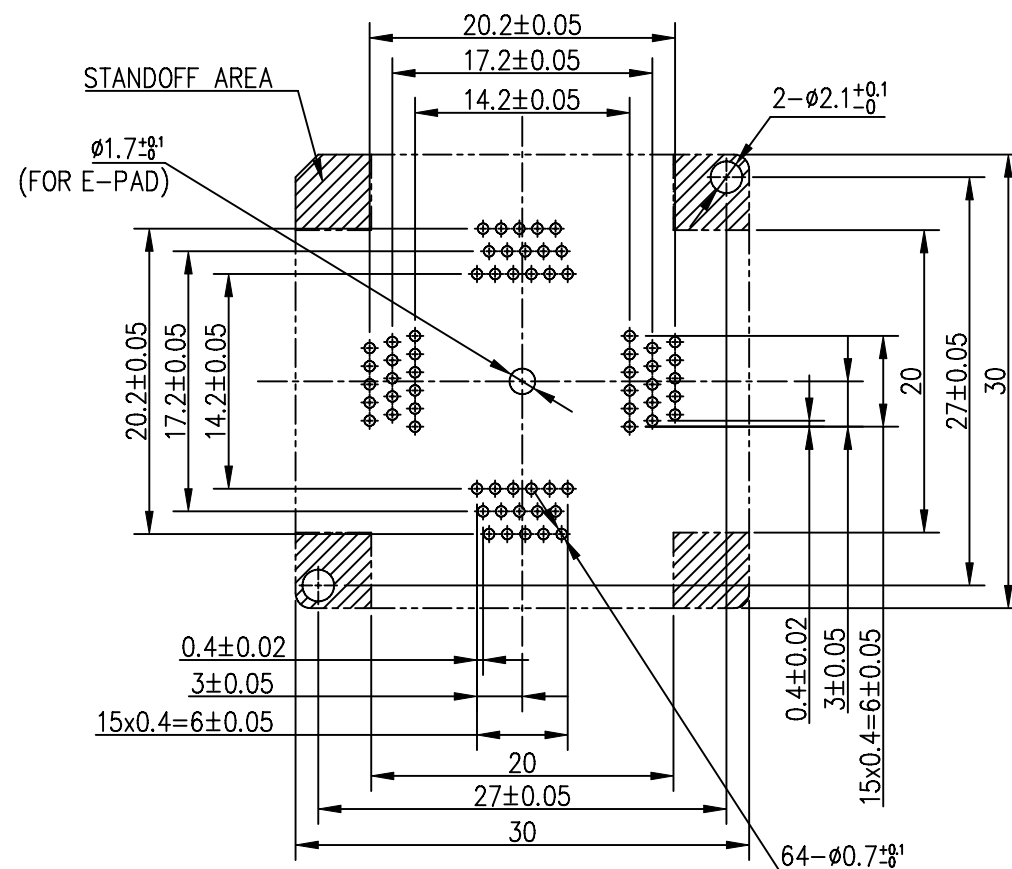
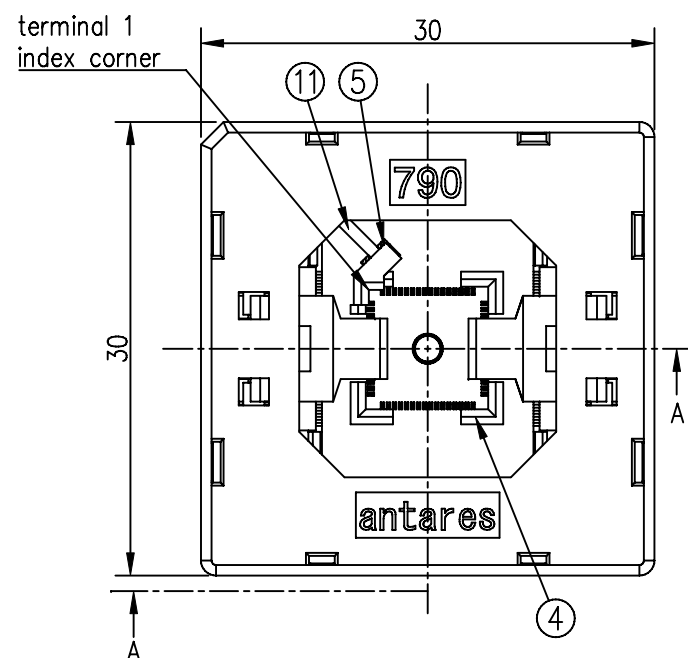
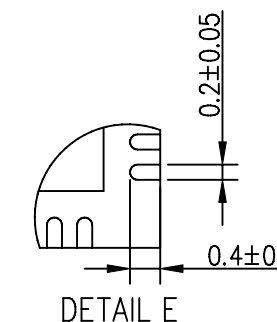
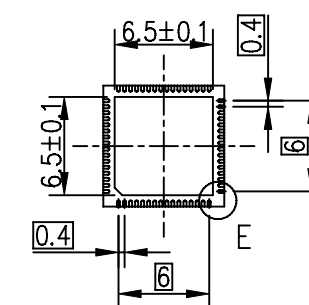
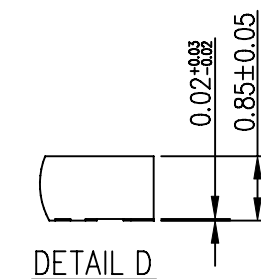
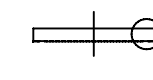
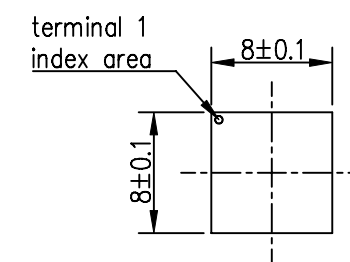


REV	DATE	ECO NO	BY
0	May 1 2008	ERN08160	KM

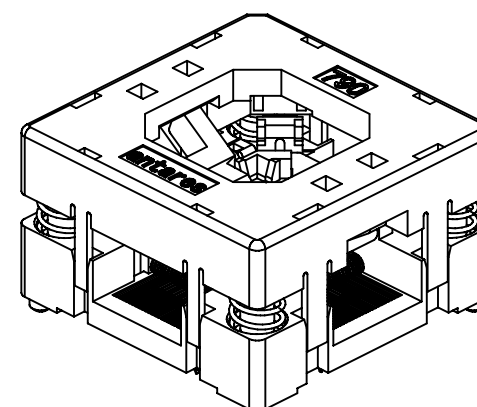
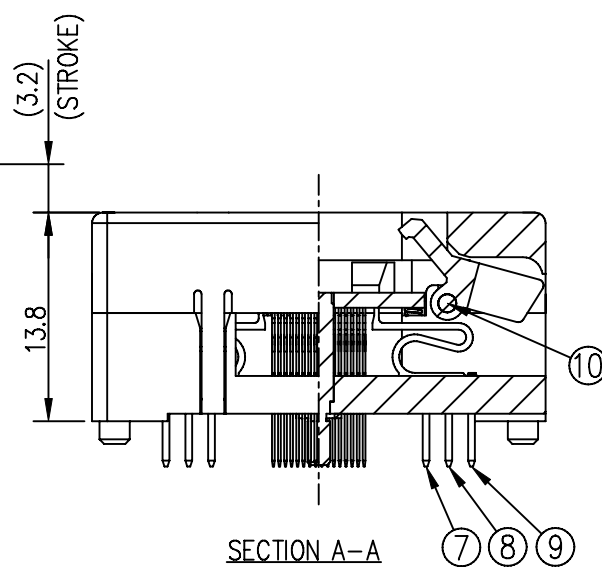
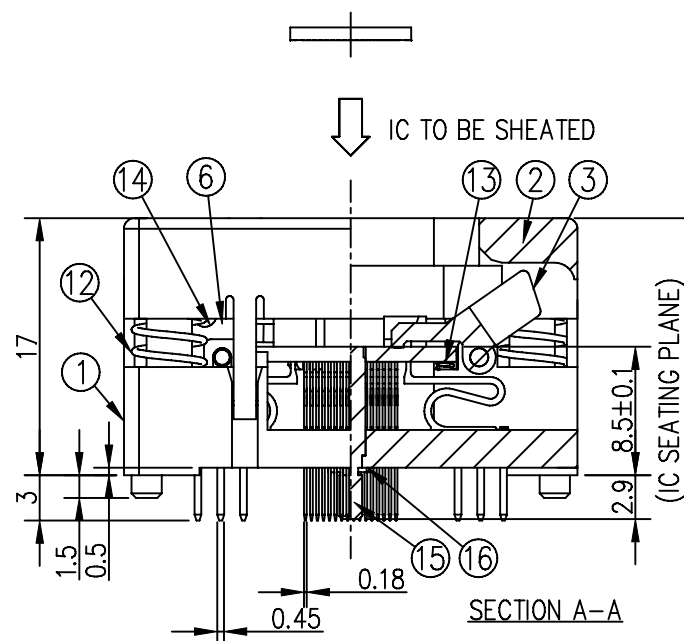


FOOTPRINT AS VIEWED LOOKING DOWN FROM TOP OF SOCKET



RECOMMENDED IC (REF.)

P.NO	PART DESCRIPTION	MATERIAL	QTY	NOTE
16	E-RING	SUS	1	
15	E-PAD UNIT	BeCu	1	PLATING : Au
14	ACTIVE GUIDE SPRING	SUS	1	
13	IC GUIDE SPRING	SUS	4	
12	COVER SPRING	SUS	4	
11	SHAFT B	SUS	1	
10	SHAFT A	SUS	2	
9	CONTACT-(C)	Be Cu	20	PLATING : Au
8	CONTACT-(B)	Be Cu	20	PLATING : Au
7	CONTACT-(A)	Be Cu	24	PLATING : Au
6	ACTIVE IC GUIDE B	PES	1	COLOR : BLACK
5	ACTIVE IC GUIDE A	PES	1	COLOR : BLACK
4	IC GUIDE	PES	1	COLOR : BLACK
3	PRESSURE PAD	PPS	2	COLOR : BLACK
2	COVER	PES	1	COLOR : BLACK
1	BASE	PES	1	COLOR : BLACK



CONFIDENTIAL/PROPRIETARY  
THIS DOCUMENT CONTAINS PROPRIETARY  
INFORMATION OF ANTARES-ATT.  
NOT TO BE USED, COPIED OR  
DISCLOSED WITHOUT PERMISSION.  
ALL RIGHTS RESERVED

機密情報/所有権  
この図面はアンタレス(株)の  
機密情報を含みます。  
許可無く使用、複写及び公開を  
禁止する。

GENERAL TOLERANCES		
±0.3		
UNIT	SCALE	ANGLE
mm	2X	3rd.
DRAWN	5 / 1 / '08	
K,Muto		
ENGINEER	5 / 1 / '08	
K,Muto		
CHECKED	5 / 1 / '08	
K,Sato		
APPROVED	5 / 1 / '08	
K,Sato		

**antares** Advanced Test Technologies  
Yokohama, Kanagawa JAPAN  
アンタレス株式会社

PART NAME  
790 QFN SOCKET 0.4mmPITCH  
64PIN(PKG SIZE 8x8)

PART NUMBER  
790-62064-101T

DWG NUMBER  
790MSA013

REV  
0

SHEET  
1/1