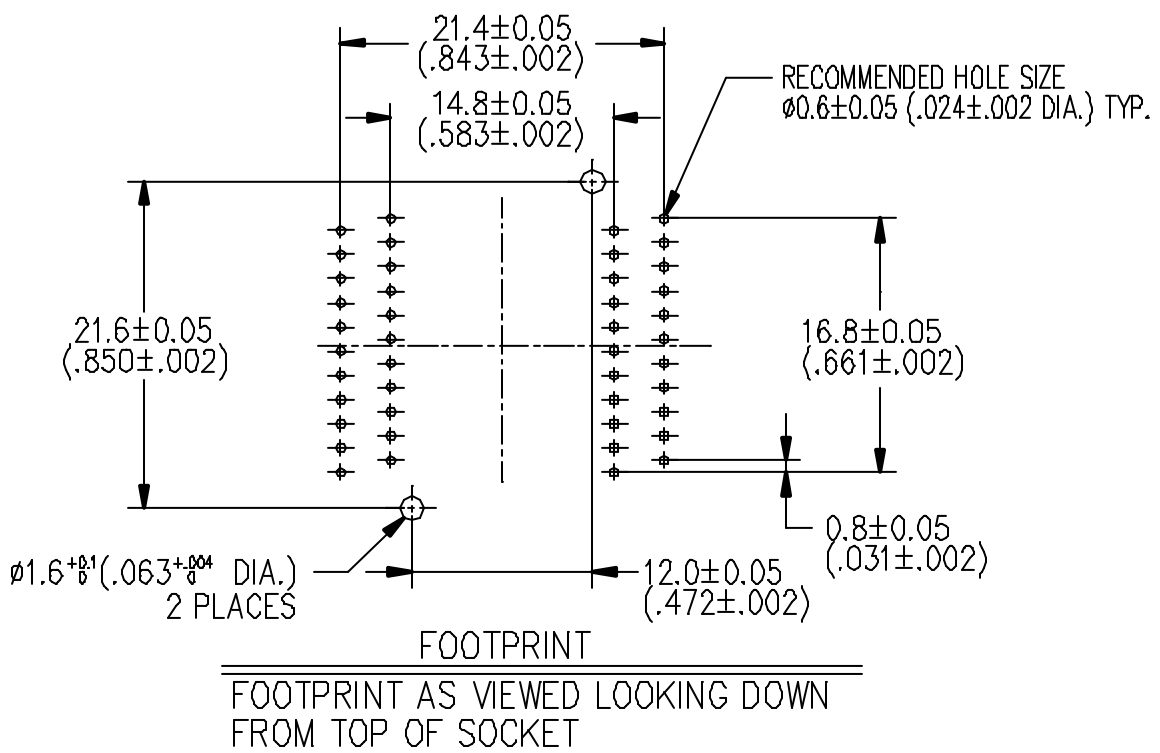
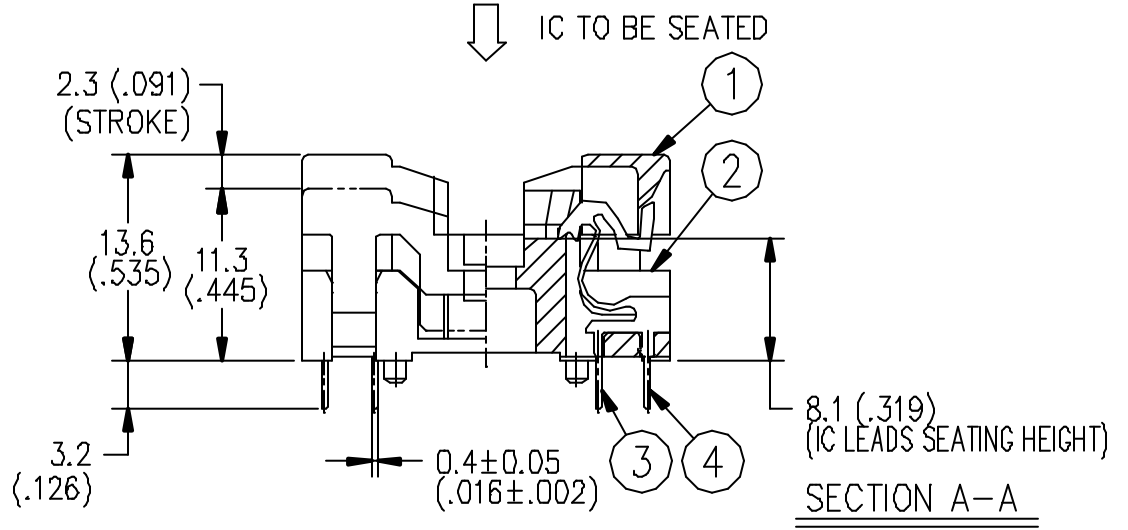
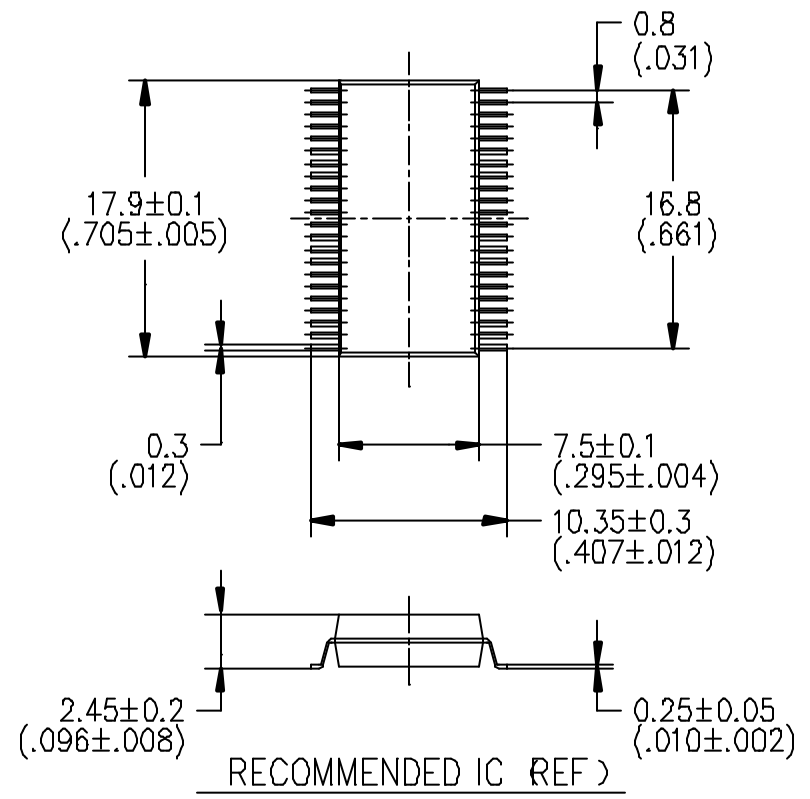
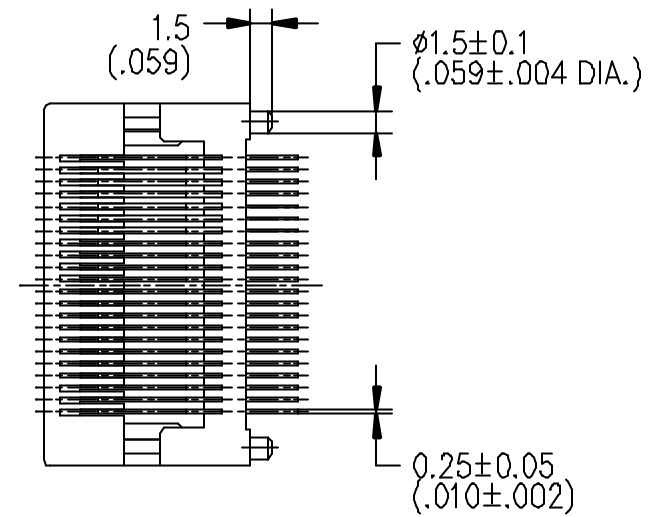
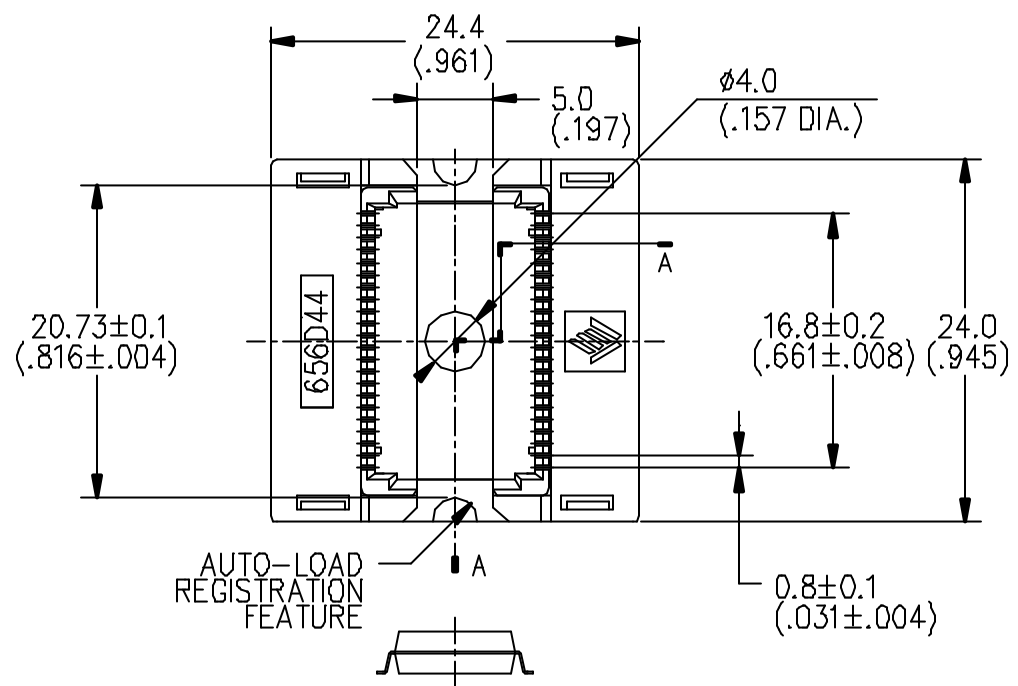


DATE	ECO NO	DESCRIPTION	BY
Oct 21 1996	CDN 96163		M,N



Performance.

1. Insulation Resistance : 1000 MΩ min. at 500V.D.C
2. Dielectric Withstanding Voltage : 600 V.A.C (RMS)
3. Contact Resistance : 30 mΩ max. at 20 mV max.
4. Temperature Range : -40°C ~ +150°C

④	CONTACT- (2)	Be Cu	22	PLATING : Au
③	CONTACT- (1)	Be Cu	22	PLATING : Au
②	BASE-44P	PEI	1	COLOR : BLACK
①	COVER-44P	PEI	1	COLOR : BLACK
P.NO	PART DESCRIPTION	MATERIAL	QTY	NOTE

GENERAL TOLERANCES		
±0.3 (±.012)		
UNIT	SCALE	ANGLE
mm (in.)	2/1	3rd.
DRAWN	/	/
CHECKED	/	/
APPROVED	/	/


WELLS JAPAN LIMITED
 ウェルズ・ジャパン株式会社

TITLE

SSOP 44P SOCKET

DWG NO.

656D2442211-001

DRA NO. 96648