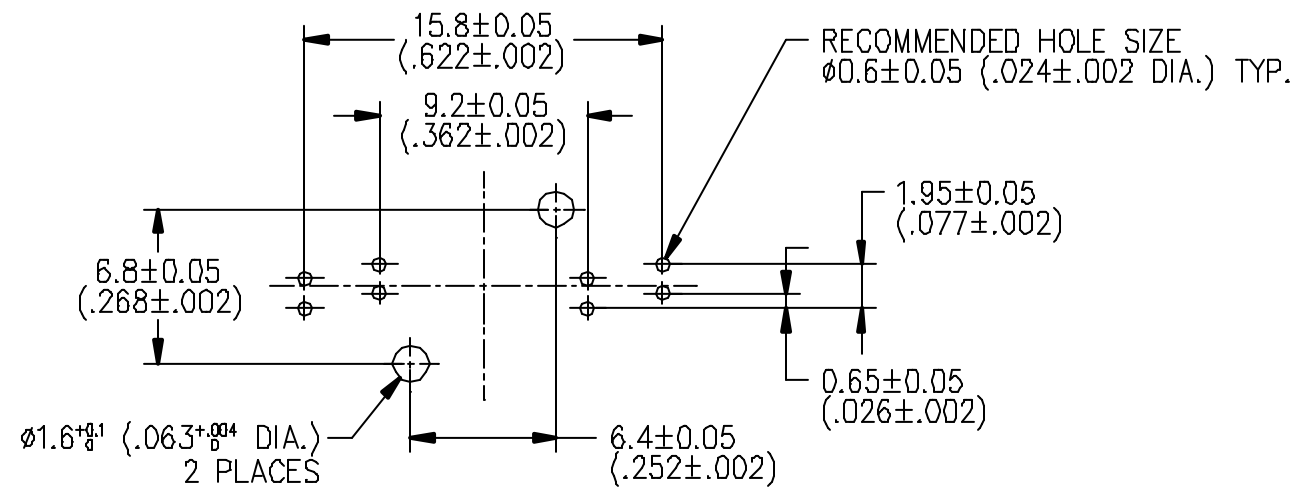
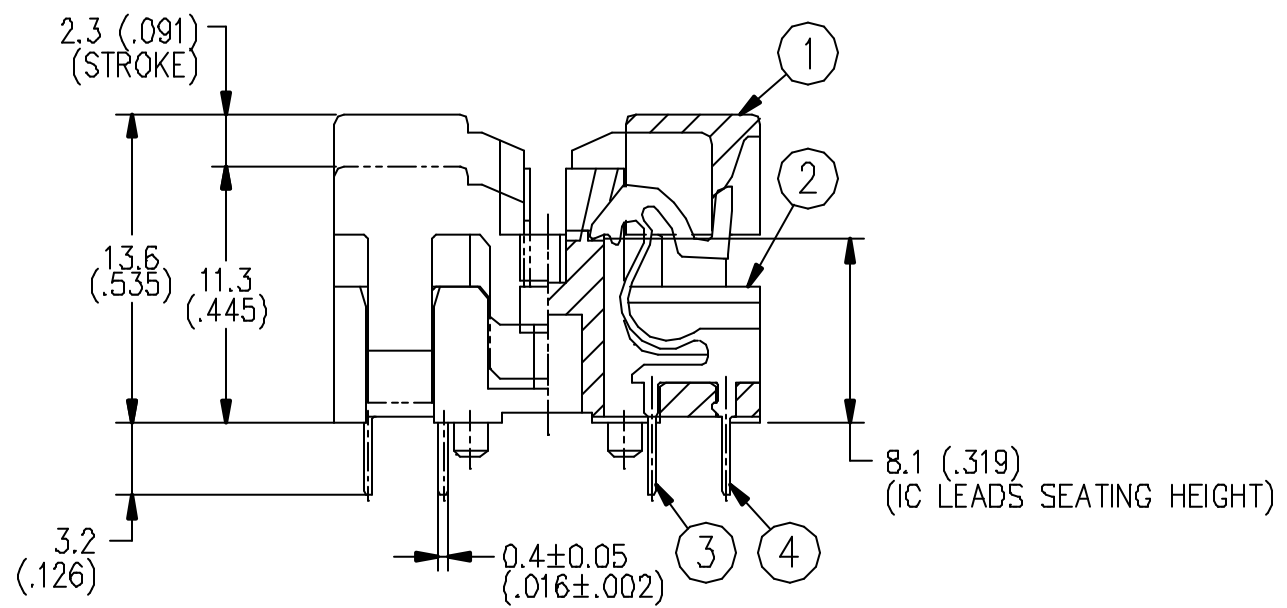
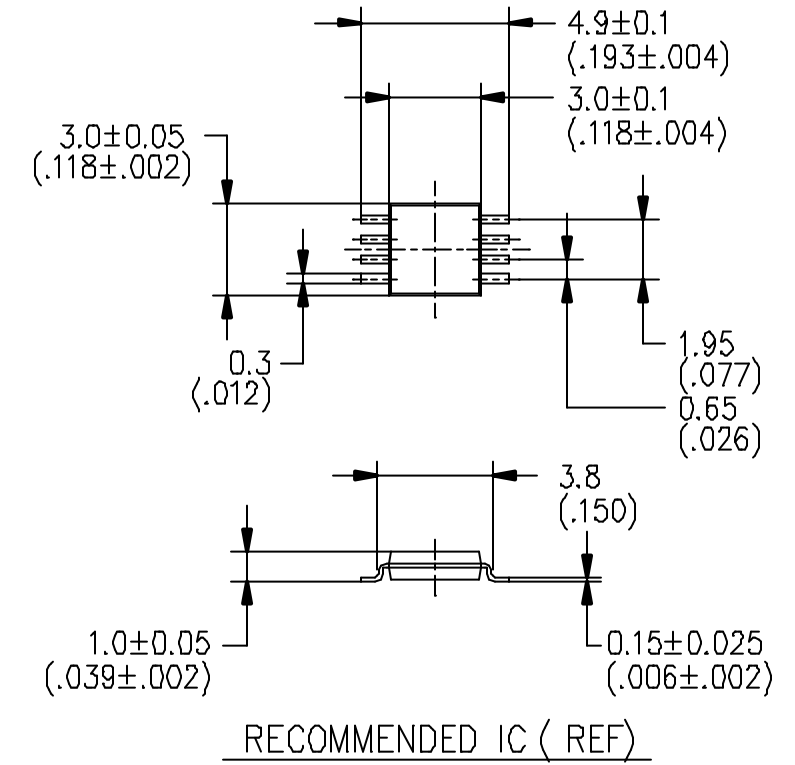
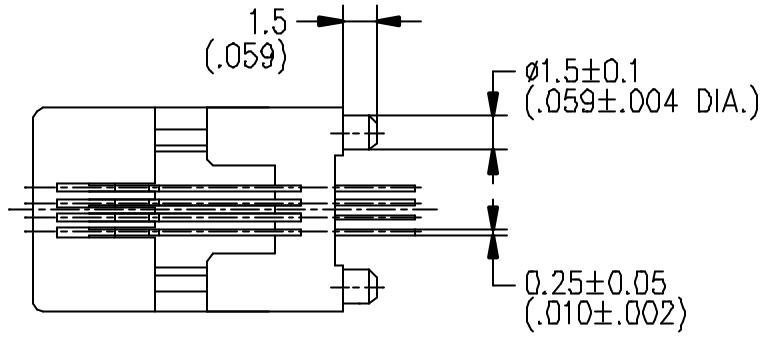
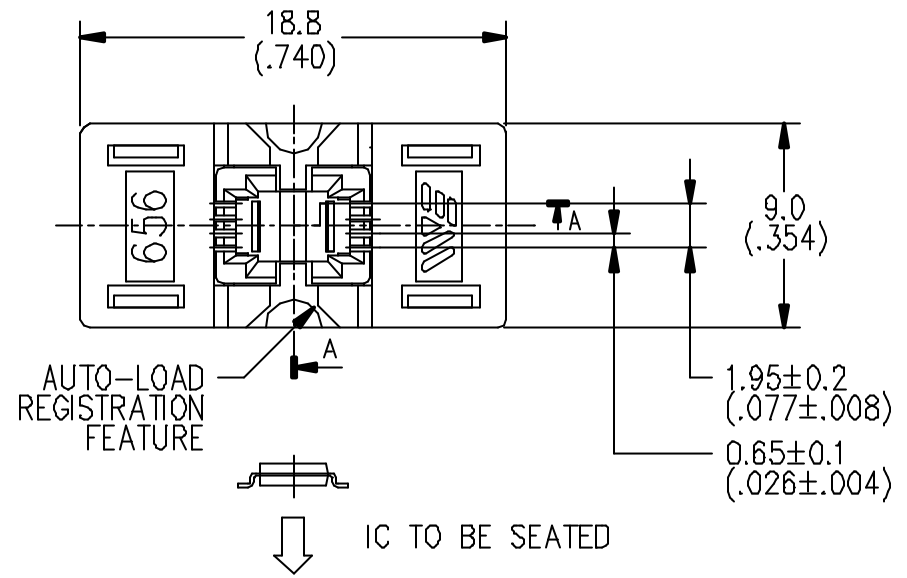


DATE	ECO NO	DESCRIPTION	BY



FOOTPRINT

FOOTPRINT AS VIEWED LOOKING DOWN FROM TPO OF SOCKET

Performance.

1. Insulation Resistance : 1000 MΩ min. at 500V.D.C
2. Dielectric Withstanding Voltage : 600 V.A.C(RMS)
3. Contact Resistance : 30 mΩ max. at 20mV max.
4. Temperature Range : -40°C ~ +150°C

④	CONTACT-(2)	Be Cu	4	PLATING : Au
③	CONTACT-(1)	Be Cu	4	PLATING : Au
②	BASE-8P	PEI	1	COLOR : BLACK
①	COVER-8P	PEI	1	COLOR : BLACK
P.NO	PART DESCRIPTION	MATERIAL	QTY	NOTE
GENERAL TOLERANCES				
±0.3 (±.012)				
UNIT	SCALE	ANGLE	TITLE	
mm(in.)	3/1	3rd.	SSOP 8P SOCKET	
DRAWN	/	/	DWG NO.	
CHECKED	/	/	656-1082211	
APPROVED	/	/		

