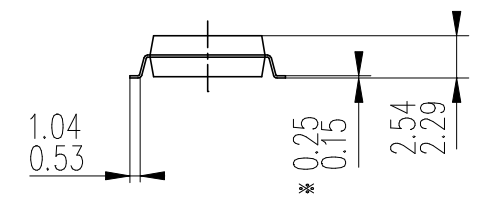
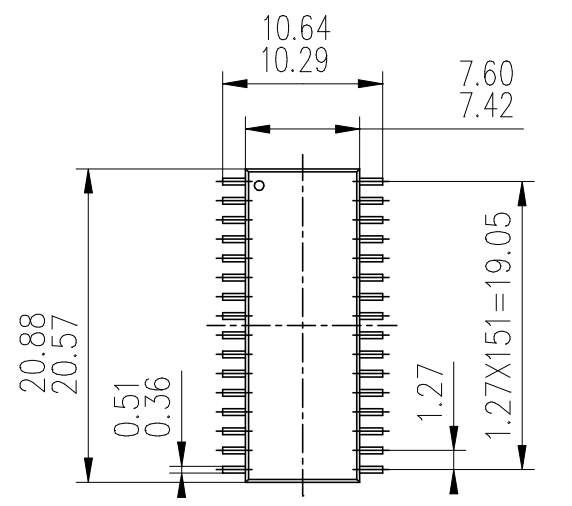
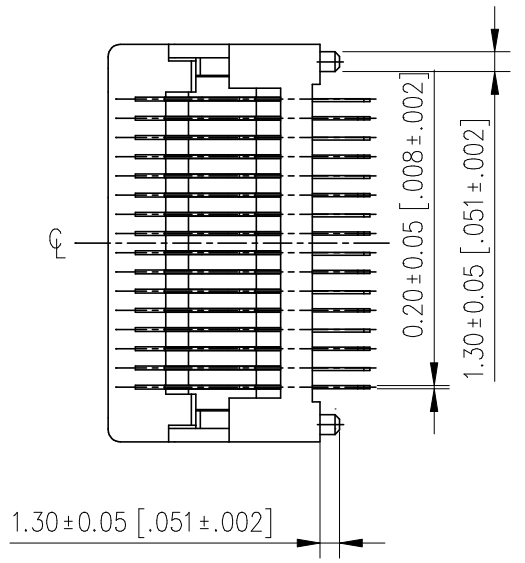
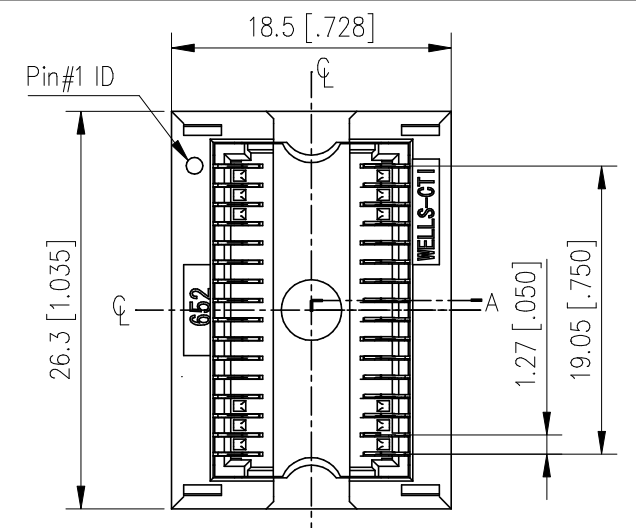
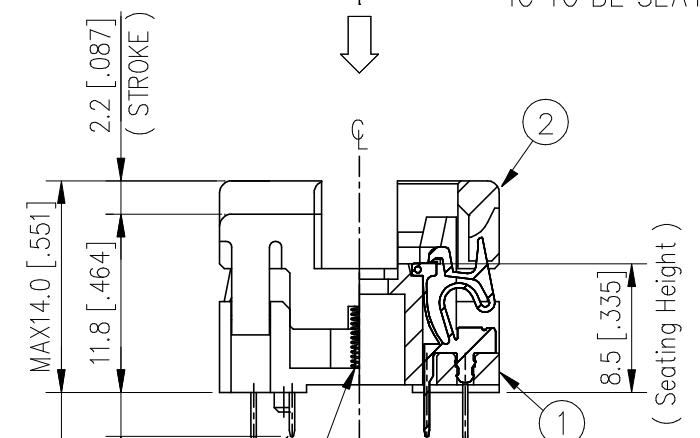


REV	DATE	ECO NO	BY
0	Jan 8 2003	ERN03001	Y,H

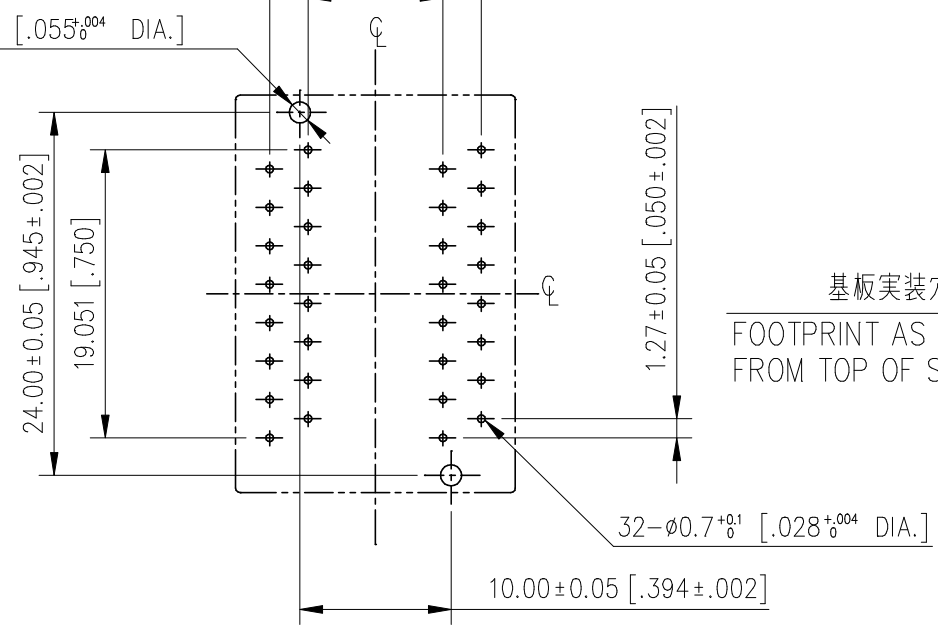
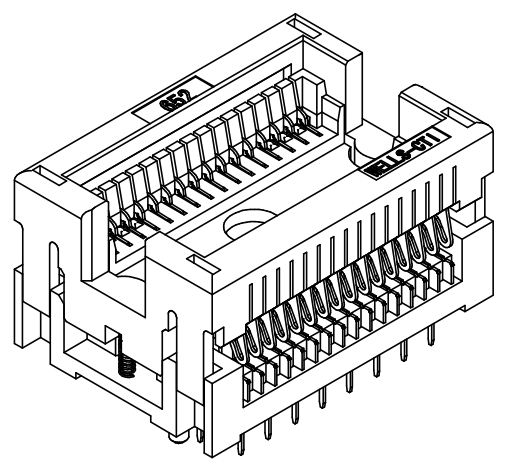


適合IC外形図 (参考)
RECOMMENDED IC (REF.)

IC挿入方向
IC TO BE SEATED



A-A断面
SECTION A-A



基板実装穴あけ寸法図(表面透視)
FOOTPRINT AS VIEWED LOOKING DOWN FROM TOP OF SOCKET

P.NO	PART DESCRIPTION	MATERIAL	QTY	NOTE
⑤	SPRING	SUS	2	
④	CONTACT-(B)	Be Cu	16	PLATING : Au
③	CONTACT-(A)	Be Cu	16	PLATING : Au
②	COVER-A	PEI	1	COLOR : BLACK
①	BASE-A	PEI	1	COLOR : BLACK

THIS DOCUMENT CONTAINS PROPRIETARY DESIGNS, SPECIFICATIONS, DATA, INFORMATION AND TECHNICAL MATERIAL THAT ARE THE SOLE PROPERTY OF WELLS-CTI. THIS INFORMATION IS TO BE HELD AND TREATED BY ITS RECIPIENT ON A CONFIDENTIAL BASIS, AND IS NOT TO BE SHOWN OR DISCLOSED TO THIRD PART WITHOUT THE WRITTEN CONSENT OF WELLS-CTI. THIS DATA DOES NOT CONVEY MANUFACTURING RIGHTS TO ANY ITEMS SHOW.

この図面に含まれる技術情報の一部は WELLS-CTI 単独の所有権を有する。従って情報非開示の原則に基づき WELLS-CTI 社の書面による同意無しにこの図面を第三者に開示すること及び製造目的に使用することを禁ずる。

GENERAL TOLERANCES ±0.3		
UNIT mm[in.]	SCALE 2X	ANGLE 3rd.
DRAWN	/	/
ENGINEER	/	/
CHECKED	/	/
APPROVED	/	/

WELLS-CTI
A subsidiary of PCD Inc.
YOKOHAMA KANAGAWA JAPAN

ウエルズ・シーティアイ株式会社

PART NAME
652 SOP 32P SOCKET (DUAL CONTACT)

PART NUMBER
652D0322211W

DWG NUMBER
652MSA023

REV
0

SHEET
1/1