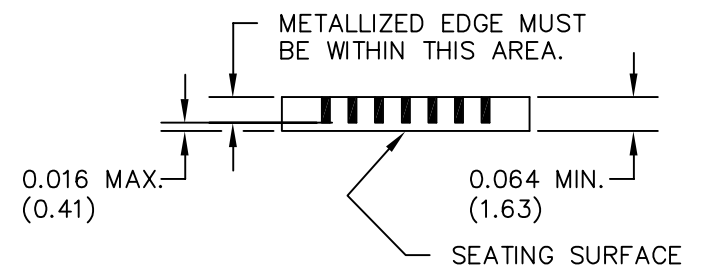
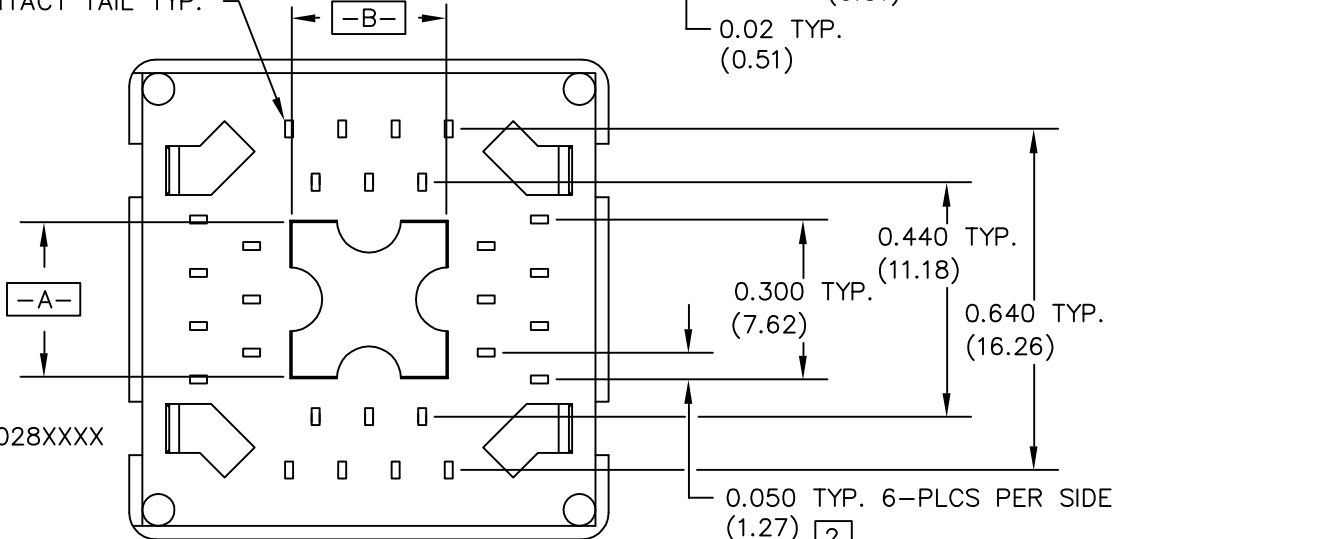
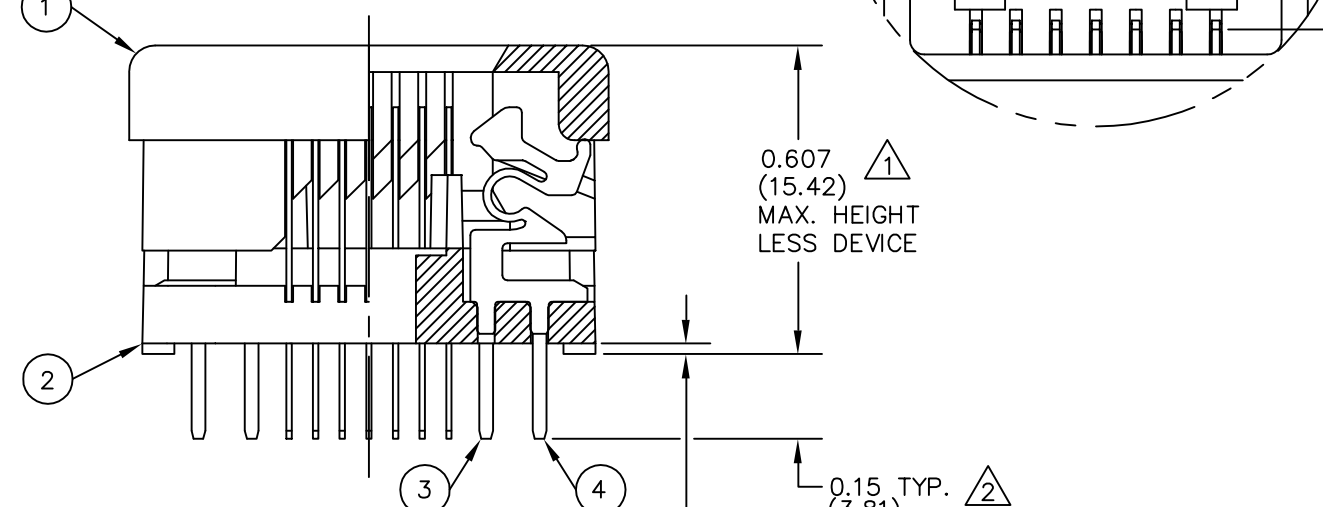
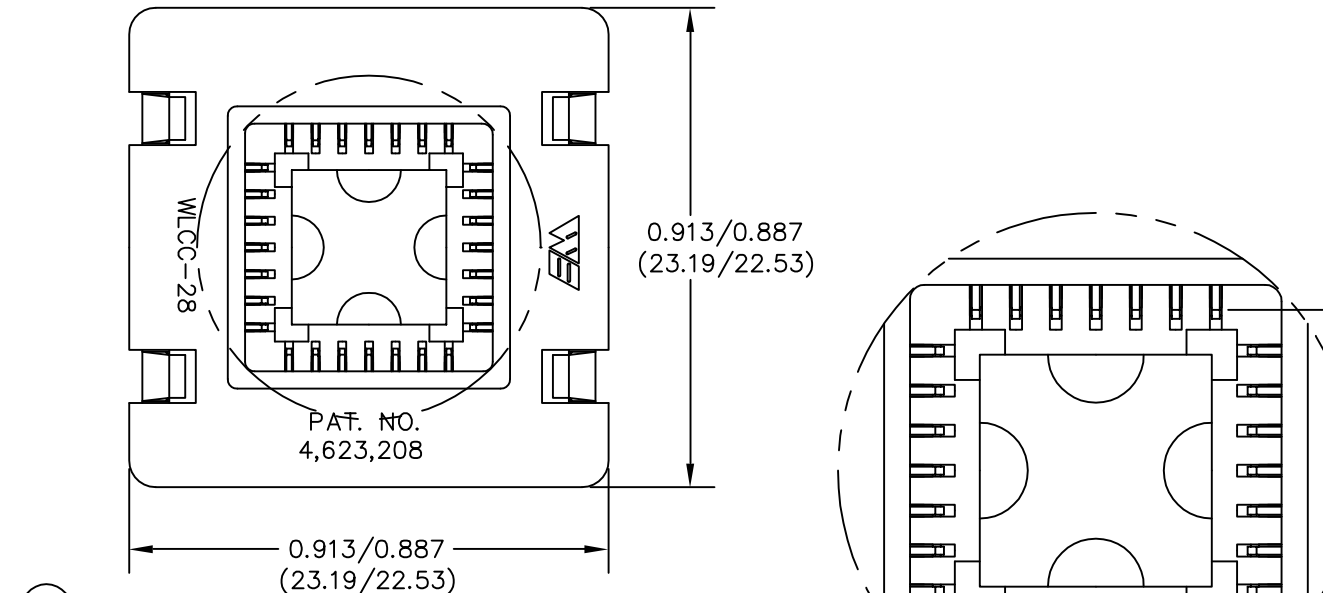


REV.	DATE	BY	REVISION							
J4	10-11-02	DS	ECN # 02-0169 REMOVE -001							
REV.	ECN #	REV.	ECN #	REV.	ECN #	REV.	ECN #	REV.	ECN #	
H	#88-0331	J	#89-0038	J1	#89-0366	J2	#89-0444	J4	#93-104	



A	C	P
X	X	-
PART NO. 635-028XXXX		

ITEM	PART NUMBER	QTY	DESCRIPTION
4	031-033-XX2	A/R	CONTACT
3	031-033-XX1	A/R	CONTACT
2	009-111-XX2	1	BASE
1	009-112-XX2	1	LID

LEGEND	ITEM	PART NUMBER	QTY	DESCRIPTION
◇	CRITICAL	THIS DOCUMENT CONTAINS PROPRIETARY DESIGNS, SPECIFICATIONS, DATA, INFORMATION AND TECHNICAL MATERIAL THAT ARE THE SOLE PROPERTY OF WELLS ELECTRONIC, INC. THIS INFORMATION IS TO BE HELD AND TREATED BY ITS RECIPIENT ON A CONFIDENTIAL BASIS, AND IS NOT TO BE SHOWN OR DISCLOSED TO THIRD PARTIES WITHOUT THE WRITTEN CONSENT OF WELLS ELECTRONICS, INC. THIS DATA DOES NOT CONVEY MANUFACTURING RIGHTS TO ANY ITEM SHOWN.		
△	MAJOR	MATERIAL	DRAWN KEN M. DATE 9-16-87	
△	MAJOR	FINISH	CHECKED HOHULIN DATE 9-21-87	
△	MAJOR	DO NOT SCALE	PROJ. ENG. J.K. DATE 9-21-87	
△	MAJOR	TOLERANCES .XX±.01(±0.25) .XXX±.005(±0.13) .XXXX±.001(±0.025) ANGLE ±1°	CHIEF ENG. W.F. DATE 9-22-87	
△	MAJOR	LAST NUMBER USED WAS : 4	MFG. ENG. D.S. DATE 9-22-87	
△	MAJOR	NUMBERS IN CRITICAL & MAJOR DIMENSIONS ARE RANDOMLY PLACED AND HAVE NO SPECIFIC ORDER IN THE WAY THAT THEY HAVE BEEN NUMBERED.	QUALITY J.P. DATE 9-28-87	
△	MAJOR	XXXXBZ0-02 PART NO.	WELLS ELECTRONICS SOUTH BEND, INDIANA	
△	MAJOR		PART NAME 28 LEAD SOCKET F/SQ. LEADLESS CHIP CARRIER	
△	MAJOR		PART NO. 635-028XXXX REV. J4	
△	MAJOR		SCALE 4X SHEET	
△	MAJOR		CAD DWG NO. 635-028 SUB-DIR ON SERVER SOCKASSY	

- 5. SOCKET ACCEPTS PACKAGES THAT MEET JEDEC SPECIFICATION MS004 WITH LIMITATIONS AS SHOWN IN DETAIL A.
 - 4. DIMENSIONS MUST BE SYMMETRICAL TO DATUM A OR B WITHIN 0.003(0.08). $\left[\begin{matrix} \phi \\ \phi \end{matrix} \right] .003(0.08) \begin{matrix} \text{A} \\ \text{A} \end{matrix} \text{ OR } \left[\begin{matrix} \phi \\ \phi \end{matrix} \right] .003(0.08) \begin{matrix} \text{A} \\ \text{A} \end{matrix} \right]$
 - 3. SOCKET MUST MEET REQUIREMENTS OF WELLS ELECTRONICS ENGINEERING SPECIFICATION ES-P-635.
 - 2. AFTER ASS'Y CONTACT TAILS MUST MEET POSITIONAL TOL. PER PIN GAGE T-0348. \triangle
 - 1. (XX.XX) DENOTES METRIC DIM'S IN MILLIMETERS.
- NOTES: UNLESS OTHERWISE SPECIFIED