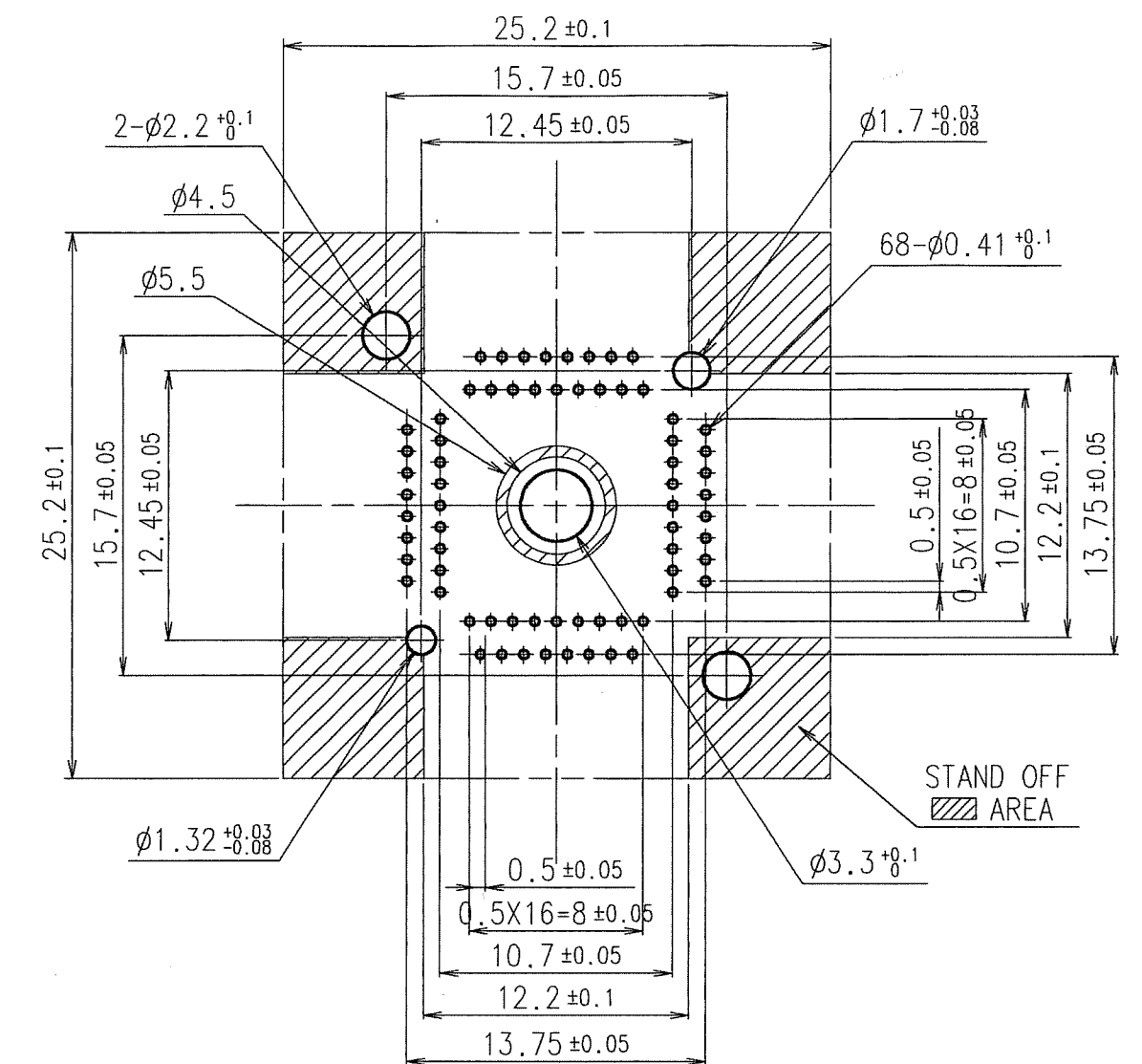
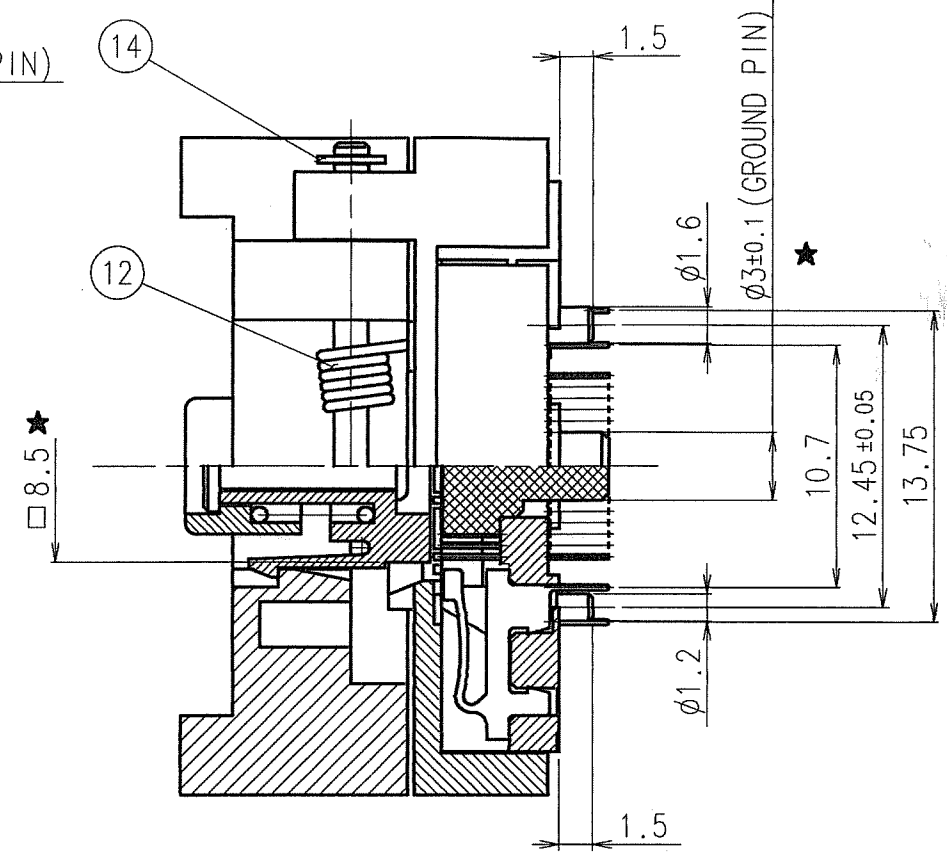
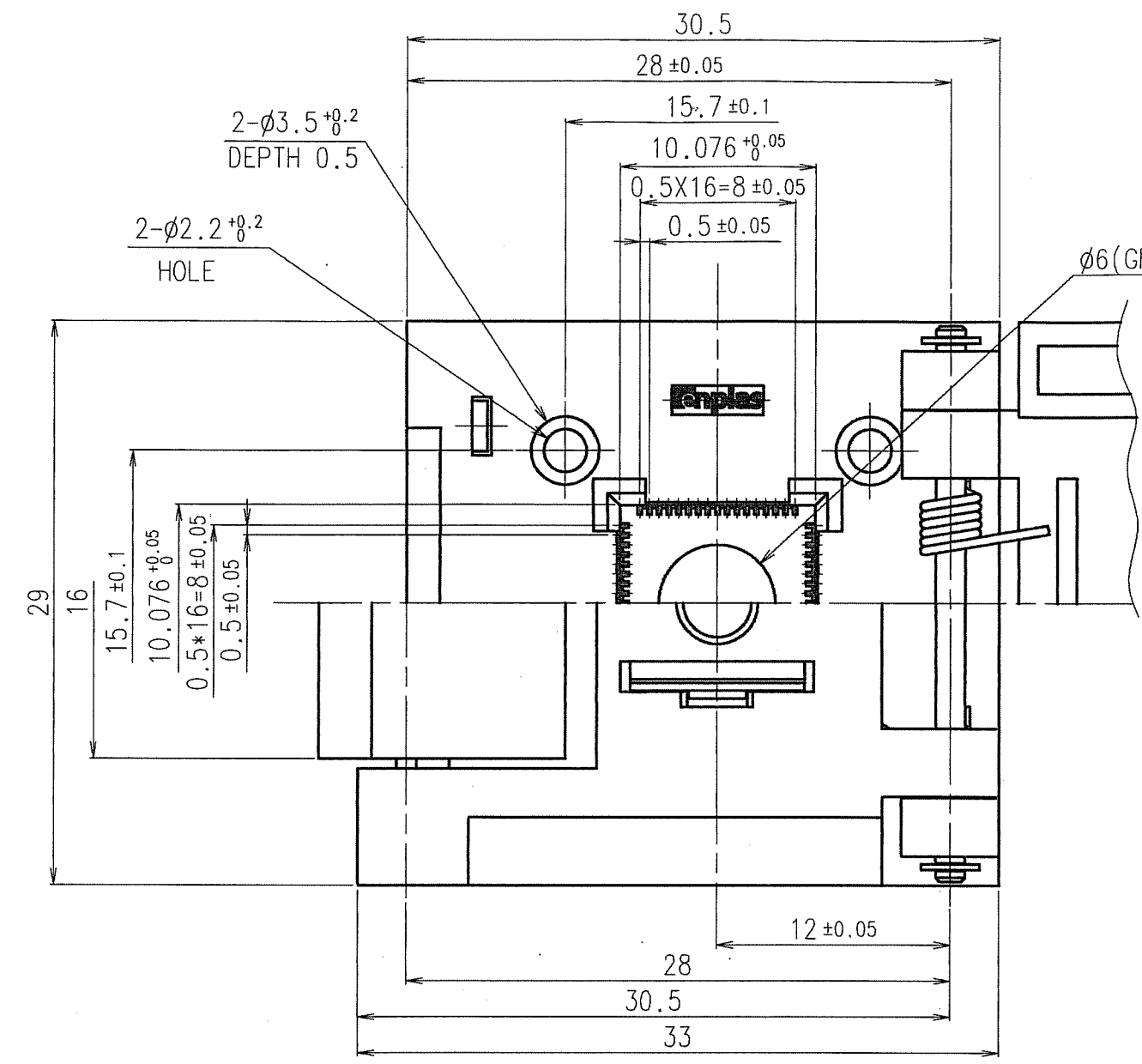


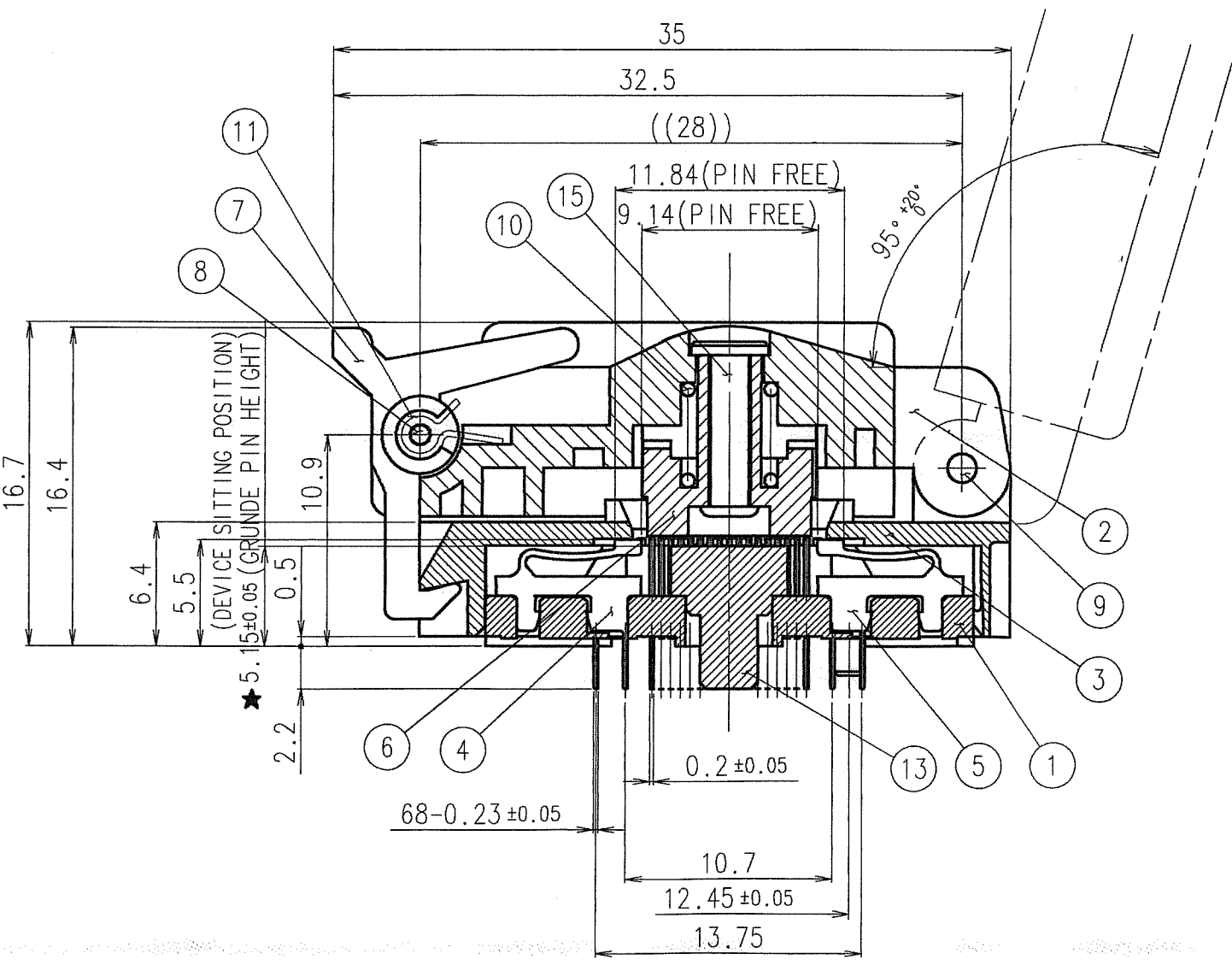
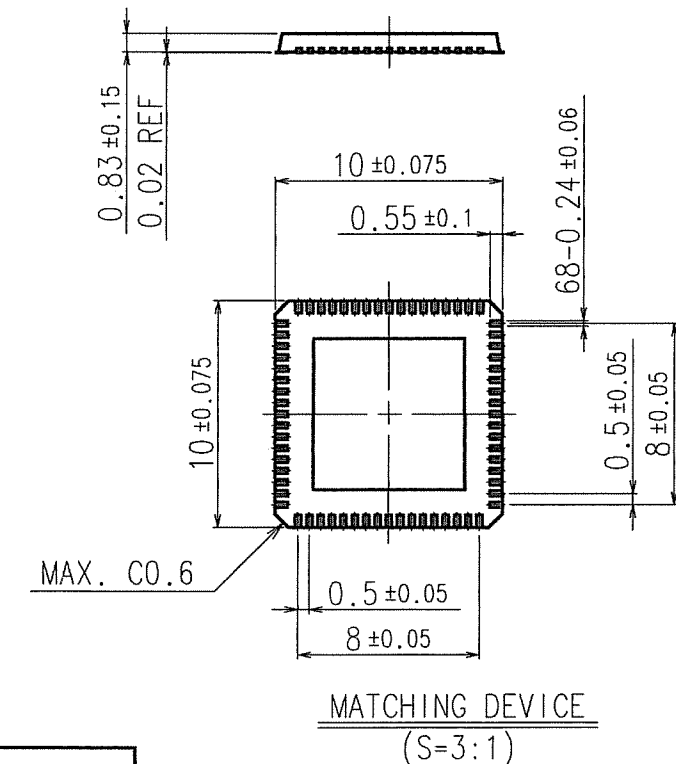
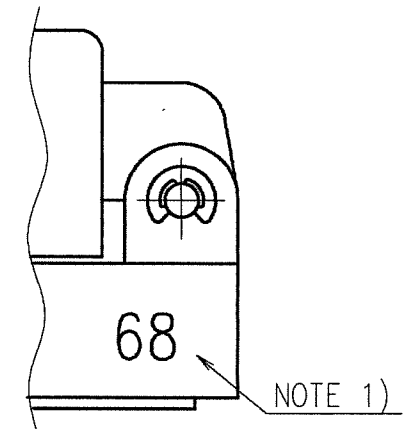
改訂図
NO. 3
★印記等は改訂内容



PCB PATTERN (TOP VIEW)
(S=3:1)

NOTES

- MARK PIN COUNT WITH LASER MARK.
- Under the any humidity involved testing, the socket MUST be fixed on the BIB with provided screws.



SPECIFICATION 仕様	
CONTACT RESISTANCE 接触抵抗	50mΩ or less at 10mA (INITIAL)
DIELECTRIC WITHSTANDING VOLTAGE 耐電圧	500 V.A.C for 1 minute
INSULATION RESISTANCE 絶縁抵抗	1000MΩ or more at 500V.D.C
OPERATING TEMPERATURE 使用温度	-65℃~150℃
RETENTION FORCE 端子抜け強度	0.5kg for 1 minute
INSERTION 寿命	10000 cycle(MECHANICAL)

18	COTS	55-113-131-01	HEX. THIN NUT M2	SUS	2	SHIP WITH SOCKETS
17	COTS	55-113-111-01	SPRING LOCK WASHER 2.0	SUS	2	SHIP WITH SOCKETS
16	COTS	55-113-009-01	PAN HEAD SCREW M2XL10	SUS	2	SHIP WITH SOCKETS
15	OQN-64-0.5-01-10	55-111-952-01	RIVET	SUS	1	
14	COTS	55-113-002-01	E-RING(φ1.2)	SUS	2	
13	QFN-68-0.5-01-12	55-111-835-01	GROUND PIN	BRASS	1	Au PLATING
12	FP-28-1.27-09-003	55-112-035-01	COIL SPRING	SUS	1	FOR COVER
11	FPQ-64-1.0-01-004	55-112-007-01	COIL SPRING	SUS	1	FOR STOPPER
★10	QFN-88-0.4-01-03	56-112-068-01	COIL SPRING	SUS	1	FOR PUSHER
9	QFN-68-0.5-01-10	55-111-834-01	SHAFT	SUS	1	FOR COVER
8	QFN-68-0.5-01-09	55-111-833-01	SHAFT	SUS	1	FOR STOPPER
7	FPQ-64-1.0-01-003	55-299-043-01	STOPPER	PPS	1	
6	QFN-68-0.5-01-06	56-290-836-01	PUSHER	PES	1	
5	QFN-68-0.5-01-08	56-110-743-01	FNAO CONTACT	BeCu	32	
4	QFN-68-0.5-01-07	56-110-742-01	FMZO CONTACT	BeCu	36	
3	QFN-76-0.5-01-04	57-290-439-01	GUIDE	PES	1	
2	QFN-68-0.5-01-05	56-290-835-01	COVER	PES	1	
1	QFN-68-0.5-01-01	56-290-833-01	BODY	PES	1	

ESP CONFIDENTIAL

A2-PN-SP
L
K
J
I
H
G
F
E
D
C
B
A
部門 枚数
SECTION SHEETS

機種 USED FOR	顧客品番 CUSTOMER'S PART NO.	品名 NAME	材質 MAT'L	個数 Q'TY	備考 REMARKS
		QFN-68BT-0.5-01-00	一般公差 GENERAL TOLERANCES	±0.3, ±10*	
承認者 APPROVED BY	N. TAKAYAMA	品名 NAME			尺度 SCALE
検出者 CHECKED BY	N. TAKAYAMA	IC SOCKET			3 : 1
設計者 DESIGNED BY	H. KISO				REV. NO. 1
訂正年月日 DATE	訂正箇所 REVISIONS	承認者 APP.	担当 SIGN	作成年月日 ISSUED ON	図番 DRAWING NO.
'08.11.16	改訂図No1 発行(改訂箇所は★印4箇所)	H.S	Y.H	2003/07/10	55-037-002-01 1/1