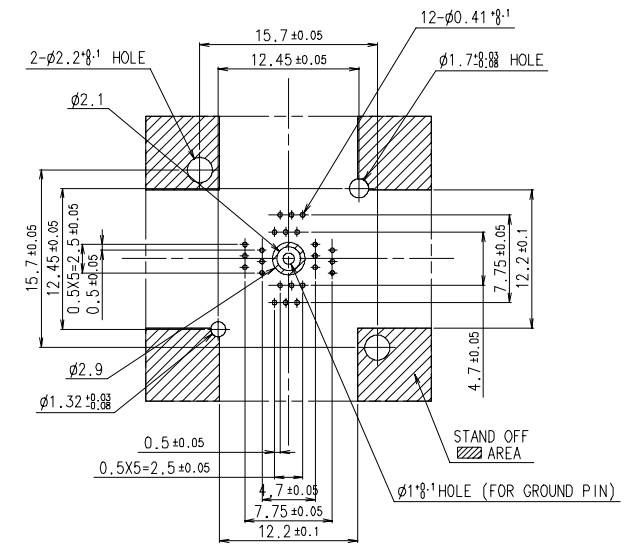
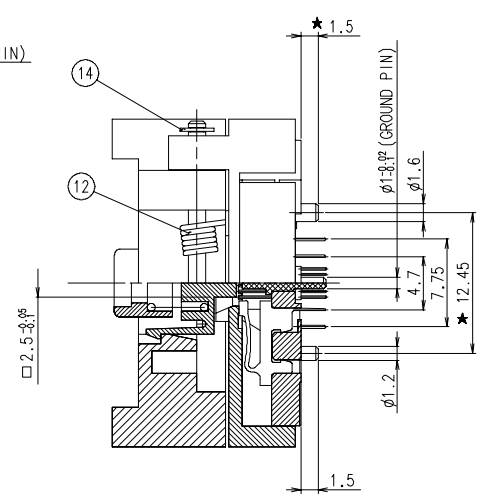
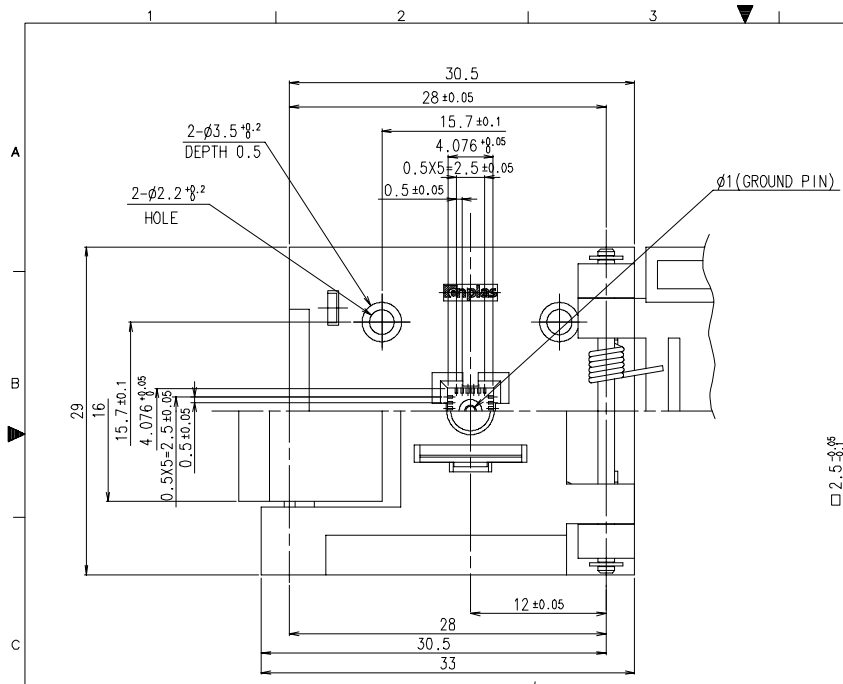
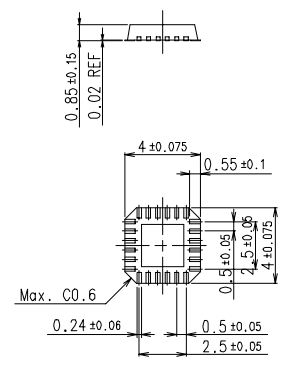
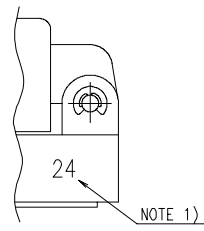


★印記号は改訂内容
改訂
図
NO. 2

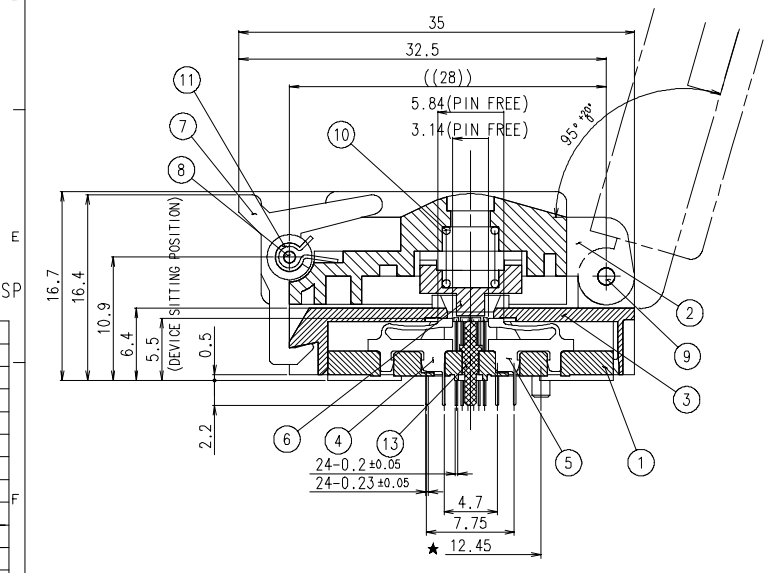


PCB PATTERN (TOP VIEW)
(S=3:1)

NOTES
1) MARK PIN COUNT WITH LASER MARK.
2) Under the any humidity involved testing, the socket MUST be fixed on the BIB with provided screws.



MATCHING DEVICE
(S=5:1)



SPECIFICATION 仕様

CONTACT RESISTANCE 接触抵抗	50m Ω or less at 10mA (INITIAL)
DIELECTRIC WITHSTANDING VOLTAGE 耐电压	500 V.A.C for 1 minute
INSULATION RESISTANCE 絶縁抵抗	1000M Ω or more at 500V.D.C
OPERATING TEMPERATURE 使用温度	-65 $^{\circ}$ C~150 $^{\circ}$ C
RETENTION FORCE 端子抜け強度	4.9N(0.5kgf)/kg for 1 minute
INSERTION 寿命	10000 cycle (MECHANICAL)

17	COTS	55-113-131-01	HEX. THIN NUT M2	SUS	2	SHIP WITH SOCKETS
16	COTS	55-113-111-01	SPRING LOCK WASHER 2.0	SUS	2	SHIP WITH SOCKETS
15	COTS	55-113-009-01	PAN HEAD SCREW M2X1.0	SUS	2	SHIP WITH SOCKETS
14	COTS	55-113-002-01	E-RING(ϕ 1.2)	SUS	2	
13	QFN-16-0.5-01-11	55-111-861-01	GROUND PIN	BRASS	1	Au Plating
12	FP-28-1.27-09-003	55-112-035-01	COIL SPRING	SUS	1	FOR COVER
11	FPQ-64-1.0-01-004	55-112-007-01	COIL SPRING	SUS	1	FOR STOPPER
10	QFN-36-0.5-01-11	55-112-810-01	COIL SPRING	SUS	1	FOR PUSHER
9	QFN-68-0.5-01-10	55-111-834-01	SHAFT	SUS	1	FOR COVER
8	QFN-68-0.5-01-09	55-111-833-01	SHAFT	SUS	1	FOR STOPPER
7	FPQ-64-1.0-01-003	55-299-043-01	STOPPER	PPS	1	
6	QFN-20-0.5-01-06	56-290-912-01	PUSHER	PES	1	
5	QFN-68-0.5-01-08	56-110-743-01	FNAO CONTACT	BeCu	12	
4	QFN-68-0.5-01-07	56-110-742-01	FNZO CONTACT	BeCu	12	
3	QFN-24-0.5-01-04	56-290-895-01	GUIDE	PES	1	
2	QFN-68-0.5-01-05	56-290-835-01	COVER	PES	1	
1	QFN-24-0.5-01-01	56-290-872-01	BODY	PES	1	

ESP CONFIDENTIAL

APPROVED BY 承認者 N. TAKAYAMA	DESIGNED BY 設計者 H. KISO	DRAWING NO. 図番 55-037-015-011/1	SCALE 尺貫 3:1
CHECKED BY 検査者 N. TAKAYAMA	DATE 発行年月日 2005/01/28	REV. NO. 改訂番号 C	DRAWING NO. 図番 55-037-015-011/1
ISSUED ON 発行年月日 2003/11/20	REVISIONS 改訂内容 改訂No1発行(改訂は★印4箇所)	CUSTOMER'S PART NO. 顧客品番 QFN-24BT-0.5-01-00	
USED FOR 用途		CUSTOMER'S PART NO. 顧客品番 QFN-24BT-0.5-01-00	

A2-PN-SP
L
K
J
I
H
G
F
E
D
C
B
A
部
門
表
紙
SECTION SHEETS